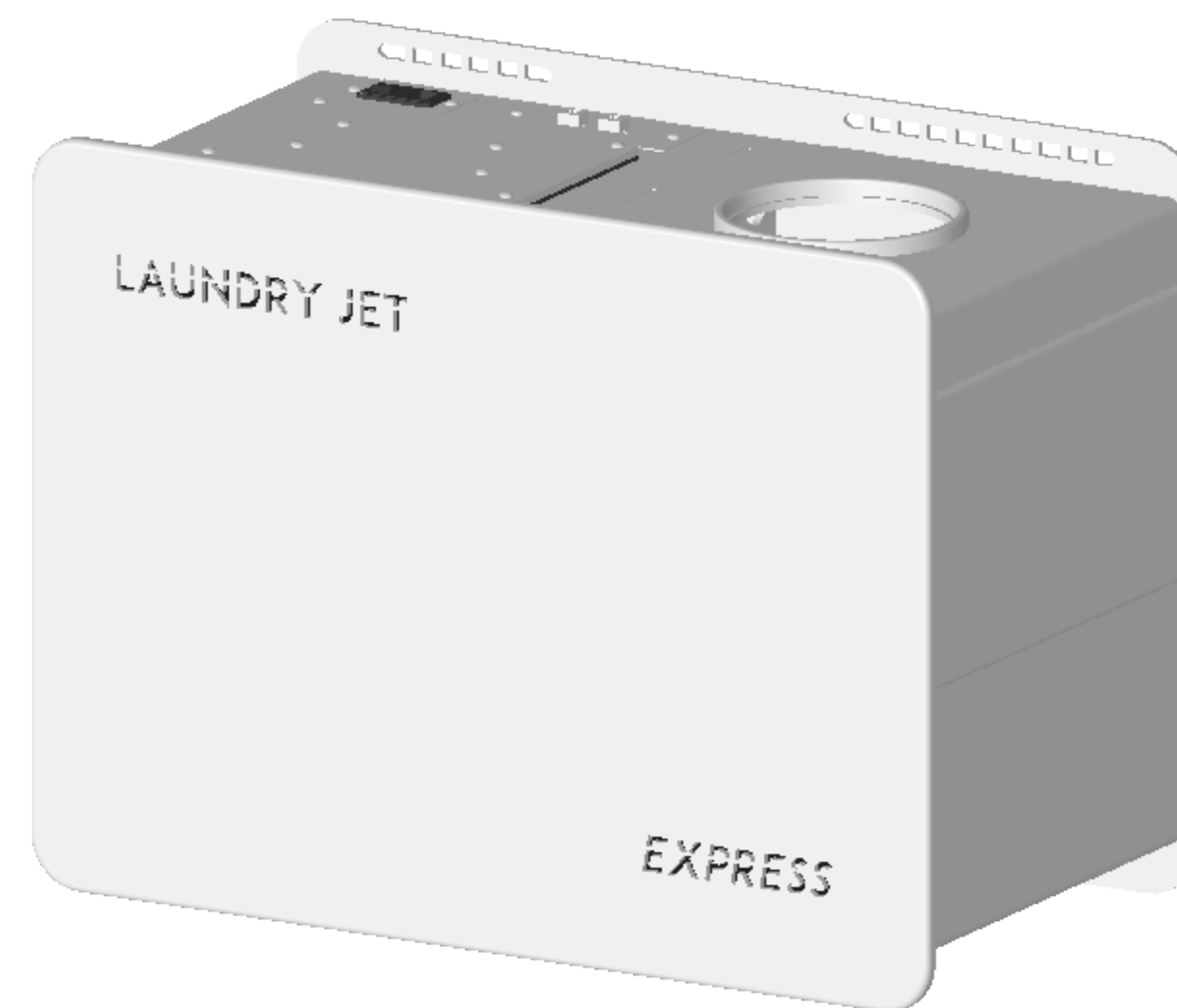
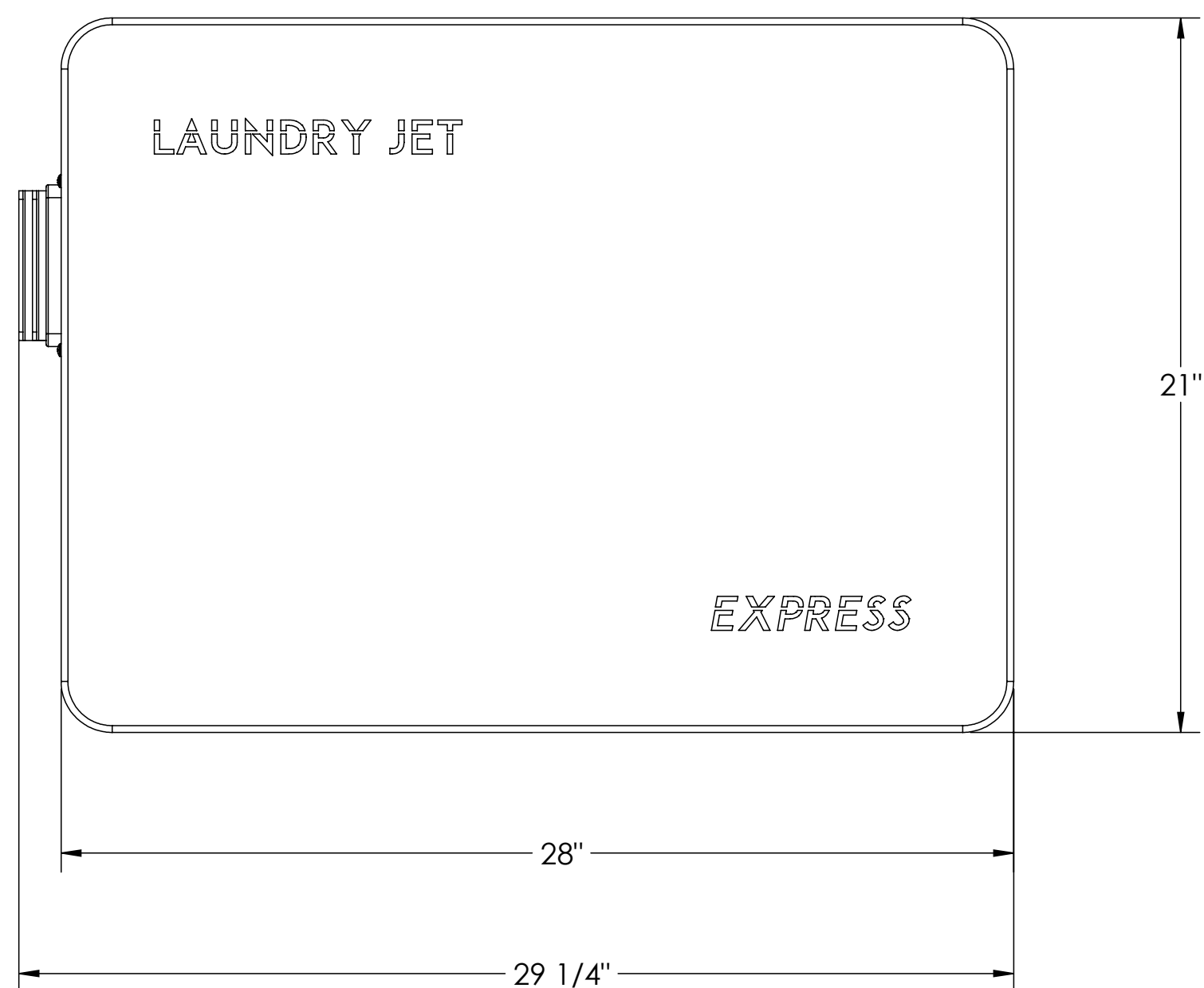
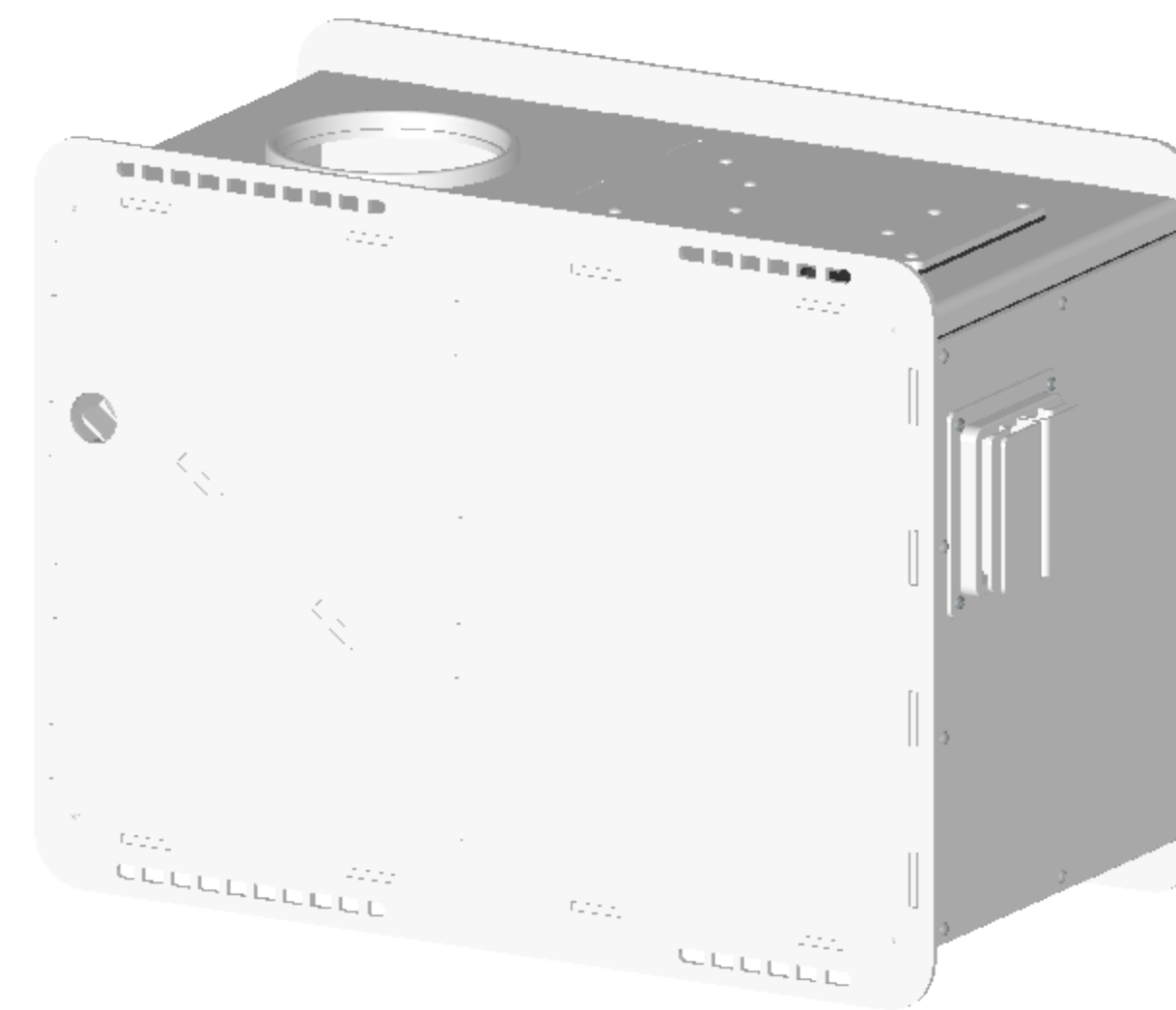
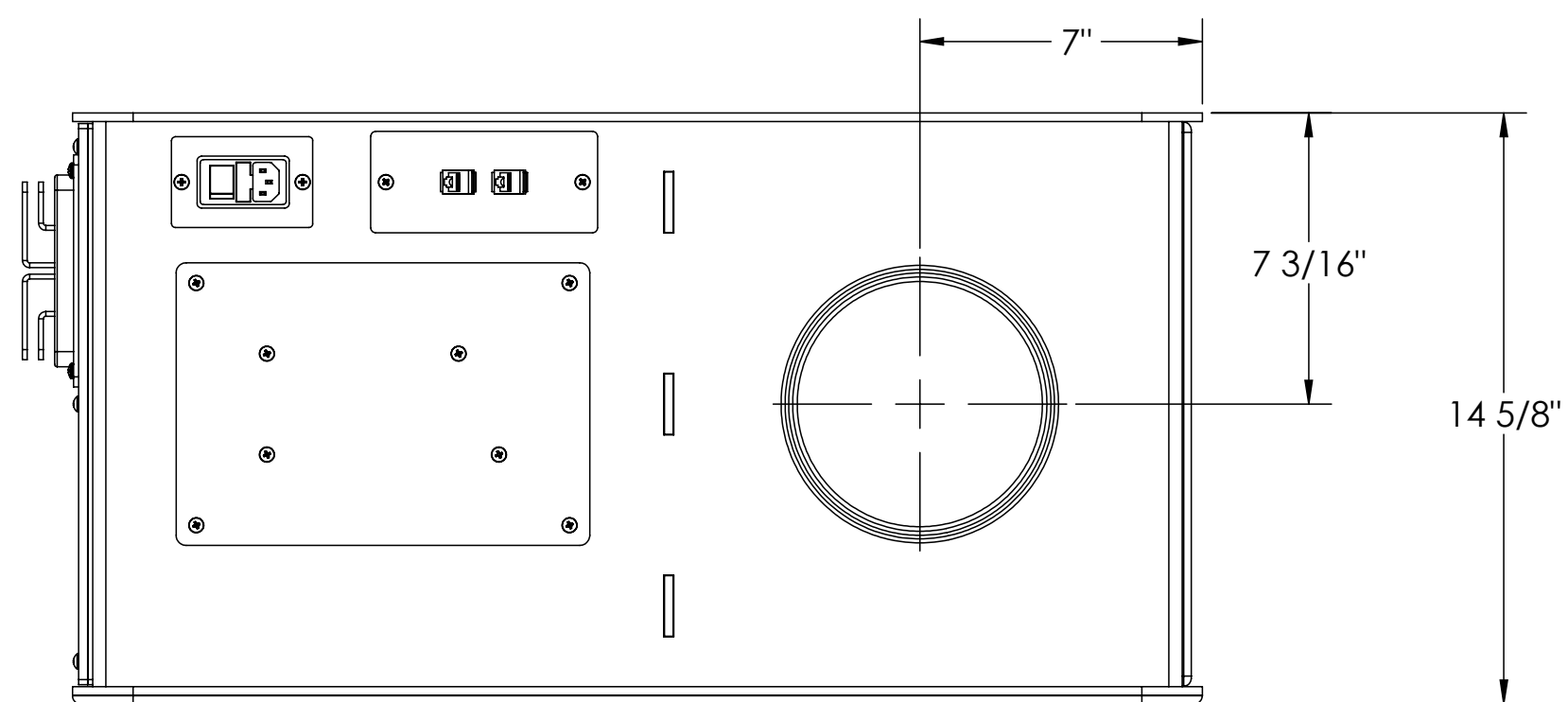


# LAUNDRY JET EXPRESS



## SPECIFICATIONS

VOLTAGE: 110V  
AMPERAGE: 13 AMP  
CFM'S: 1000 CFM

**PROPRIETARY AND CONFIDENTIAL**  
THE INFORMATION CONTAINED IN THIS DRAWING IS THE SOLE PROPERTY OF LAUNDRY JET. ANY REPRODUCTION IN PART OR AS A WHOLE WITHOUT THE WRITTEN PERMISSION OF LAUNDRY JET IS PROHIBITED.

UNLESS OTHERWISE SPECIFIED:		NAME	DATE	<b>LAUNDRY JET</b>	
DIMENSIONS ARE IN INCHES		DRAWN	CW		11.29.22
TOLERANCES:		CHECKED	DH		11.29.22
FRACTIONAL ±		ENG APPR.	DH		11.29.22
ANGULAR: MACH ± BEND ±		MFG APPR.			
TWO PLACE DECIMAL ±		Q.A.			
THREE PLACE DECIMAL ±		CUSTOMER:			
TITLE:				<b>Laundry Jet Express</b>	
SIZE	DWG. NO.	REV			
<b>A</b>	LJ-EXPRESS				
SCALE: 1:4.5	WEIGHT:	SHEET 1 OF 1			

MATERIAL

FINISH

DO NOT SCALE DRAWING